

Silverstone AB, Gjuterigatan 10, 34139 LJUNGBY – SWEDEN
Tel. ++ 46 372 694 30 Faks ++ 46 372 136 71

NAVODILA ZA UPORABO



Škarjasti paletni viličar
Model: **S1000**

OPOZORILO: PRED UPORABO OBVEZNO PREBERITE NAVODILA

PRODAJA IN SERVIS:

ELAS D.O.O.
PESKE 4A
1236 TRZIN

TEL.: 01-562-12-44 **FAKS:** 01-562-12-45

SPECIFIKACIJA:

| | |
|------------------------|--------------|
| MODEL | S1000 |
| Nosilnost | 1000 kg |
| Dvižna višina | 800 mm |
| Višina spuščениh vilic | 85 mm |
| Dolžina vilic | 1190 mm |
| Širina vilic | 560 mm |
| Teža | 128 kg |

OPOZORILO:

Paletni viličar ima dve hitrosti dvigovanja, katere se avtomatično menjata glede na težo nad 150 kg.

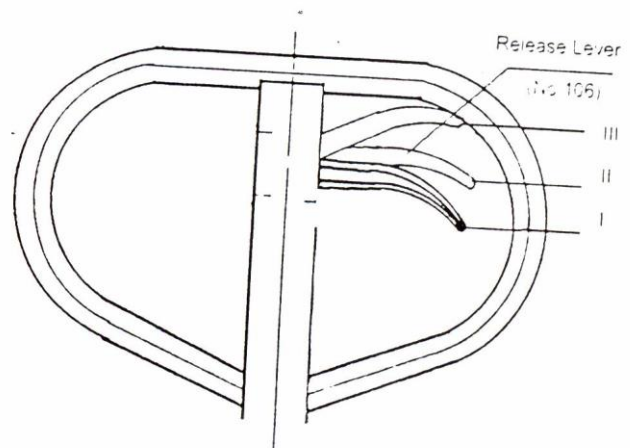
NAVODILO ZA VARNO DELO:

- paletni viličar morate uporabljati v skladu z navodili.
- Ne vstavljajte delov med mehanizem in vilice
- Ne uporabljajte viličarja na drseči podlagi
- Hitro dviganje več kot 150 kg ni dovoljeno
- Vsako poseganje v nastavitve ventilov je strogo prepovedano, nastavitve in vzdrževanje prepustite strokovnim službam
- Tovor nalagajte na center (sredino) vilic. Neenakomerna preobremenitev je strogo prepovedana.
- Viličar ne uporabljajte za transport oseb
- Uporabniku priporočamo uporabo zaščitnih čevljev

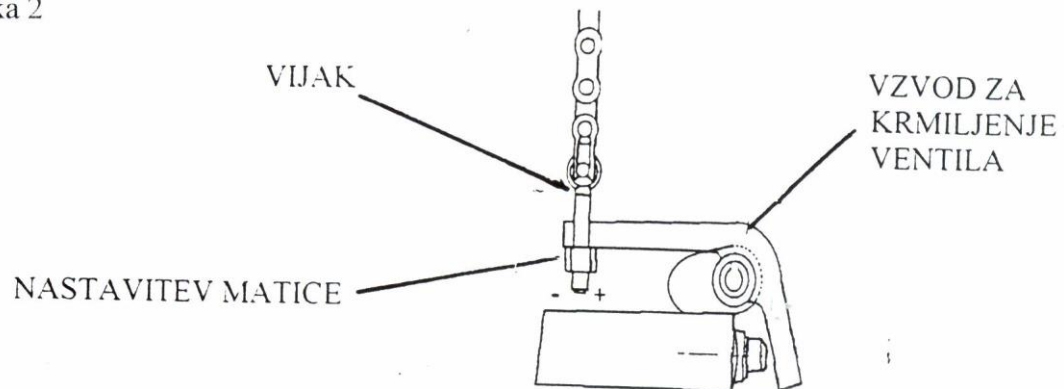
UPORABA ROČICE ZA DVIG IN SPUST

ROČICA IMA TRI POLOŽAJE

1. POZICIJA I – dvig vilic
2. POZICIJA II – nevtralni položaj
3. POZICIJA III – spust vilic



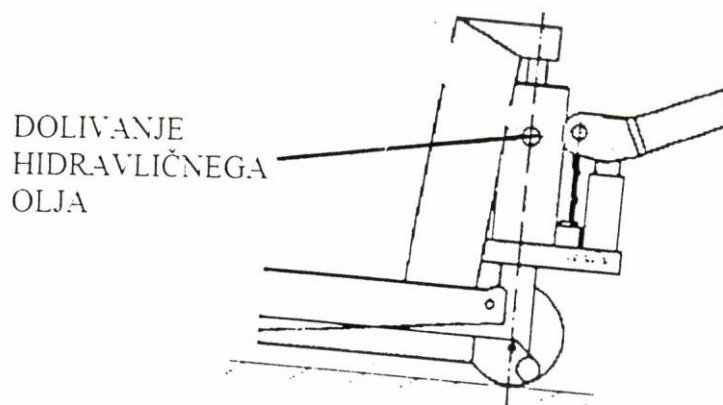
Slika 2



Preizkusi vse funkcije, ter po potrebi nastavi na matici vzvoda ventila (glej sliko 2).

| NAPAKA | ODPRAVA |
|--------------------|---|
| Vilice ne dvigajo | Matico zavrti proti smeri urinega kazalca |
| Vilice ne spuščajo | Matico zavrti v smeri urinega kazalca |

Slika 3:



4. PREZRAČEVANJE HIDRAVLIKE

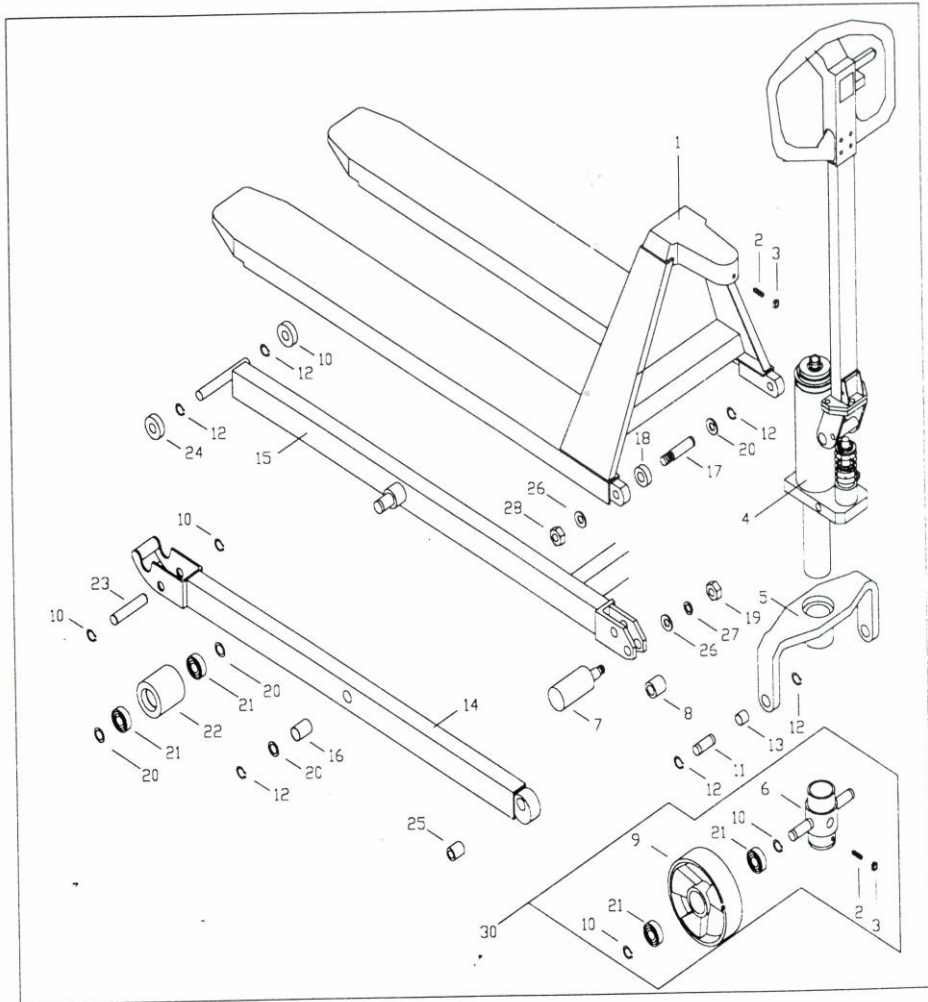
Poglej sliko 3

Ko potisnete ročico navzdol, vilice neenakomerno dvigajo. Odvijte vijak na sliki 3, ter pritisnite počasi ročico navzdol, da se sistem odzrača. Nato vijak privijte nazaj.

5. DOLIVANJE OLJA

V kolikor ne morete dvigniti do končane pozicije je potrebno doliti hidravlično olje Hidraol 46.

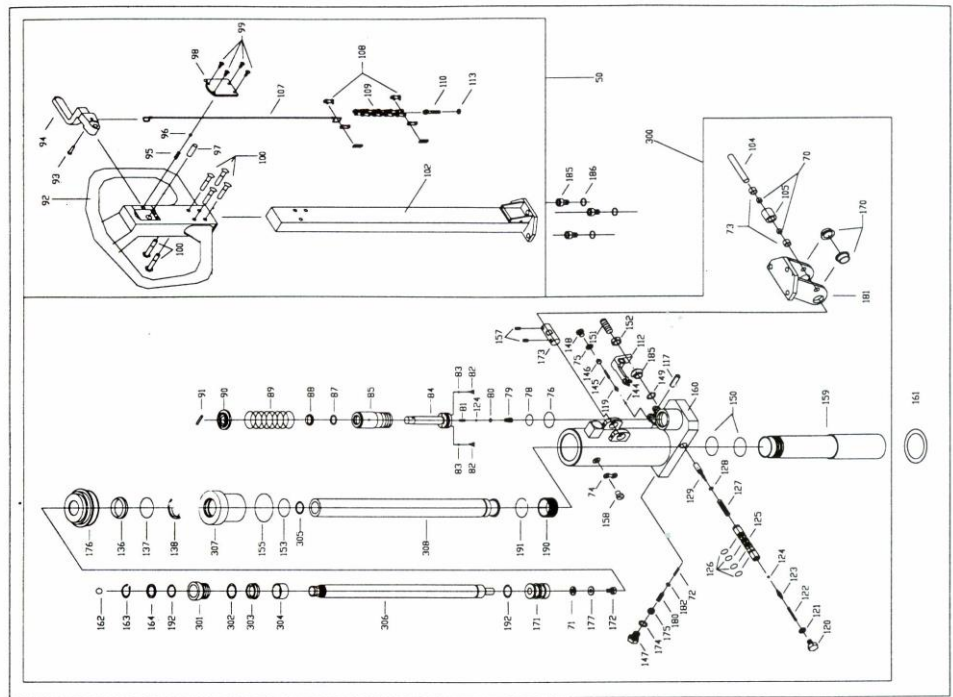
| ŠT. | NAPAKA | MOŽNI VZROK | ODPRAVA |
|-----|------------------------------------|---|--|
| 1. | Vilice ne moremo privzdigniti | 1. pomanjkanje olja v rezervoarju 2. zrak v sistemu 3. nastavitvena matica ni privita | 1. dolijte olje 2. prezračite sistem 3. privijte in nastavite pravilno |
| 2. | Vilice ne spuščajo | 1. vilice so blokirane 2. nepravilna nastavitve matice | 1. preverite in odstranite blokade 2. privijte in nastavite matico |
| 3. | Vilice ne gredo v najvišji položaj | Pomanjkanje olja v rezervoarju | Dolijte olje |



Parts List

| Item No. | Description | Q'ty |
|----------|-------------|------|
| 1 | Fork | 1 |
| 2 | Screw | 2 |

| | | |
|----|--|----|
| 3 | Nut | 2 |
| 4 | Power unit | 1 |
| 5 | Hold yoke | 1 |
| 6 | Wheel yoke | 1 |
| 7 | Centrifugal axle | 2 |
| 8 | Spacer | 2 |
| 9 | Steering wheel | 2 |
| 10 | Snap ring | 8 |
| 11 | Pin | 2 |
| 12 | Snap ring | 12 |
| 13 | Bush | 2 |
| 14 | Leg | 2 |
| 15 | Leg | 1 |
| 16 | Bush | 2 |
| 17 | Pin | 2 |
| 18 | Washer | 2 |
| 19 | Nut | 2 |
| 20 | Washer | 8 |
| 21 | Ball bearing | 8 |
| 22 | Front wheel | 2 |
| 23 | Wheel axle | 2 |
| 24 | Roller | 4 |
| 25 | Bush | 2 |
| 26 | Washer | 4 |
| 27 | Spring washer | 2 |
| 28 | Lock Nut | 2 |
| 30 | Steering wheel assembly (incls.2,3,6,9,10,21) | 1 |



Parts List

| Item No. | Description | Qty |
|----------|-------------------|-----|
| 102 | Handle Tube | 1 |
| 104 | Pin | 1 |
| 105 | Roller | 1 |
| 107 | Release Rod | 1 |
| 108 | Chain Connector | 3 |
| 109 | Chain | 1 |
| 110 | Eye Bolt | 1 |
| 112 | Pendulum Arm | 1 |
| 113 | Pendulum Arm Nut | 1 |
| 117 | Pin | 1 |
| 119 | Seat | 1 |
| 120 | Screw | 1 |
| 121 | Gasket | 1 |
| 122 | Spring | 1 |
| 123 | Release Valve | 1 |
| 124 | Ball | 2 |
| 125 | Valve Insert | 1 |
| 126 | O-ring | 4 |
| 127 | Spring | 1 |
| 128* | O-ring | 1 |
| 129 | Release Indicator | 1 |
| 136 | Scraper Ring | 1 |
| 137 | O-ring | 1 |
| 138 | Y-ring | 1 |
| 144 | Ball | 1 |
| 145 | Spring | 1 |

10

| | | |
|-----|------------------|---|
| 146 | Adjusting Screw | 1 |
| 147 | Sealing Screw | 1 |
| 148 | Screw | 1 |
| 149 | Snap Ring | 1 |
| 150 | O-ring | 2 |
| 151 | Screw | 1 |
| 152 | Lock Nut | 1 |
| 153 | O-ring | 1 |
| 155 | O-ring | 1 |
| 157 | Screw | 2 |
| 158 | Air Screw | 1 |
| 159 | Cylinder | 1 |
| 160 | Pump Housing | 1 |
| 161 | Thrust Bearing | 1 |
| 162 | Ball | 1 |
| 163 | Snap Ring | 1 |
| 164 | Washer | 1 |
| 170 | Bush | 2 |
| 171 | Piston | 1 |
| 172 | Screw | 1 |
| 173 | Axle | 1 |
| 174 | Gasket | 1 |
| 175 | Lock Screw | 1 |
| 176 | Rubber Sleeve | 1 |
| 177 | Washer | 1 |
| 179 | Bush | 1 |
| 180 | Adjusting Screw | 1 |
| 181 | Handle Base | 1 |
| 182 | Adjusting Washer | 1 |
| 183 | Rubber Sleeve | 1 |

11

| | | |
|-----|---------------|---|
| 185 | Hex Screw | 3 |
| 186 | Spring Washer | 3 |
| 190 | Copper Piston | 1 |
| 191 | Snap Ring | 1 |
| 192 | Snap Ring | 2 |
| 100 | Pin | 6 |
| 99 | Screw | 4 |
| 98 | Cover | 1 |
| 97 | Pin | 1 |
| 96 | Ball | 1 |
| 95 | Spring | 1 |
| 94 | Release Lever | 1 |
| 93 | Pin | 1 |
| 92 | Handle | 1 |
| 91 | Pin | 1 |
| 90 | Washer | 1 |
| 89 | Spring | 1 |
| 88 | Scraper Ring | 1 |
| 87 | Y-Ring | 1 |
| 85 | Pump | 1 |
| 84 | Plunger | 1 |
| 83 | Ball | 2 |
| 82 | Spring | 2 |
| 81 | Spring | 1 |
| 80 | O-ring | 1 |
| 79 | Screw | 1 |
| 78 | O-ring | 1 |
| 76 | O-ring | 1 |
| 75 | Gasket | 1 |
| 74 | Washer | 1 |

| | | |
|-----|-----------------|---|
| 73 | Spacer | 2 |
| 72 | Spring | 1 |
| 71 | Washer | 1 |
| 70 | Bush | 2 |
| 301 | Bush | 1 |
| 302 | Back-Up ring | 1 |
| 303 | Y-ring | 1 |
| 304 | Bush | 1 |
| 305 | Snap ring | 1 |
| 306 | Piston rod | 1 |
| 307 | Cylinder head | 1 |
| 308 | Cylinder | 1 |
| 300 | Pump unit | 1 |
| 50 | Handle assembly | 1 |

Remark:

Parts with "*" mark are supplied together with the High Lifter and packed in the poly bags.

*** VERSION TWO**

Silverstone AB, gjuterigatan 10, 341 31 Ljungby
Tel. +46 371 69 430 Fax: +46 372 136 71

EG deklARATION om Overensstammelse EC DECLARATION OF CONFORMITY

Tillverkare deklarerar att de maskiner som beskrivs nedan overnsstammer med de huvudforeskrifter om sakerhet och halsa i EG-direktivet nr 2006/42/EC.

The manufacturer hereby declares that the machine described and designated below conform to the applicable essential health and safety requirements of the EC directive no. 2006/42/EC.

Denna deklARATION blir ogilig vid andring av maskinen eller utrustningen.

This declaration will be invalid with any unauthorized change of machinery or equipment.

| | |
|--|---------------------------|
| Beskriving av maskinen Description of machinery | HAND LIFTING PALLET TRUCK |
| Typ av maskin Type of machinery | SILVERSTONE |
| Modell nummer Model number | S1000 |

Silverstone AB
Gjuterigatan 10
SE-341 31 Ljungby
Sweden
T: +46 (0)372-694 30
F: +46 (0)372-136 71
VAT no: SE558346931001



Ljungby 2004-11-28

Claes Persson
Managing director

For arkiv / For archives

Q77-2004-11-28

Silverstone AB, gjueterigatan 10, 341 31 Ljungby
Tel. +46 371 69 430 Fax: +46 372 136 71

EC DECLARATION OF CONFORMITY EC IZJAVA O SKLADNOSTI

V skladu z odredbo o varnosti strojev, Uradni list RS 52/00 in predlogo II, točka A, te odredbe

We declare that the following machinery complies with all the essential health and safety requirements of the EC Directive for machinery 2006/42/EC.

Proizvajalec s polno odgovornostjo izjavlja, da opisani in označeni aparati odgovarjajo bistvenim zdravstvenim in varnostnim zahtevam po EC direktivah št. 2006/42/EC.

This declaration will be invalid with any unauthorized change of machinery or equipment.

Ta izjava bo neveljavna ob vsaki nepooblaščenih tehnični spremembi delovnega stroja oz. opreme.

| | |
|---|--|
| DESCRIPTION OF MACHINERY OPIS NAPRAVE | HAND LIFTING PALET TRUCK ROČNI ŠKARJASTI VILIČAR |
| TYPE OG MACHINERY TIP NAPRAVE | SILVERSTONE |
| MODEL NUMBER OZNAKA MODELA | S1000 |

Ljungby 2004-11-28
Managing Directore

Claes Persson